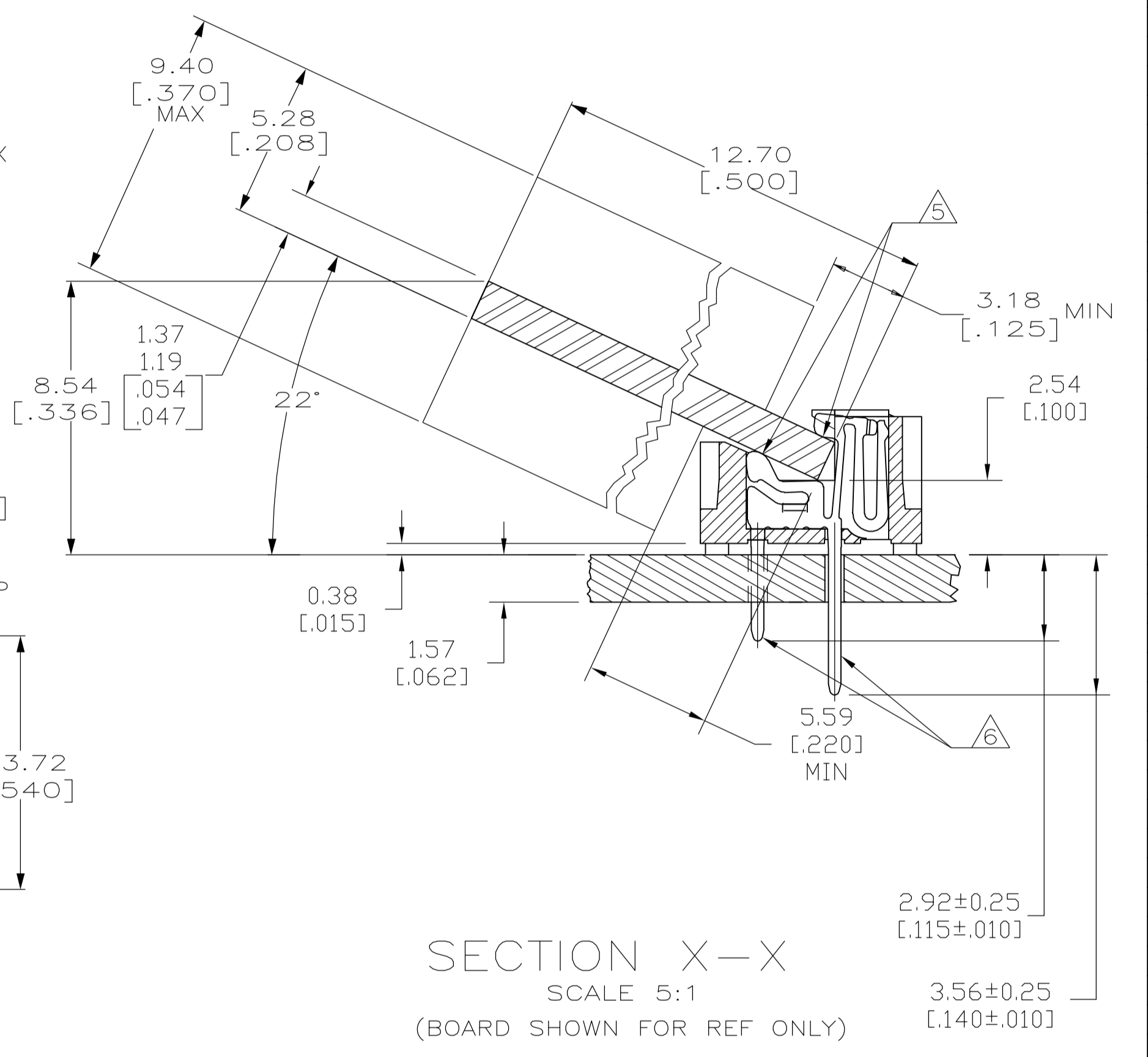


- 1 HOUSING-MATERIAL : LIQUID-CRYSTAL-POLYMER.
- 2 CONTACT-MATERIAL : PHOS. BRONZE.
- 3 LATCH-MATERIAL : STAINLESS STEEL.
- 4 CONTACT-PLATE 0.00127 [.000050] MIN NICKEL ALL OVER.
- 5 CONTACT-PLATE 0.00076 [.000030] MIN. GOLD AT CONTACT PTS.
- 6 CONTACT SOLDER TAILS-PLATE 0.00508 [.000200] MIN TIN/LEAD.
- 7. IN ADDITION TO THOSE RECOMMENDED "SIMM" P.C. BOARD DIMENSIONS AND TOLERANCES SHOWN, ALL JEDEC SPECIFICATIONS APPLY AS SHOWN ON MO-116, ISSUE A.
- 8. RECOMMENDED MATING S.I.M.M. TAB METALLURGY:
 BASE METAL-COPPER. PLATING TO BE 0.00076 [.000030] MIN GOLD OVER 0.00127 [.000050] MIN NICKEL.
- 9 'S' IDENTIFIER LOCATED APPROXIMATELY AS SHOWN.
- 10 DATE CODE INFORMATION (YEAR WEEK), LOCATED APPROXIMATELY AS SHOWN ON OPPOSITE SIDE ONLY.



107.95 [4.250]	101.19 [3.984]	55.88 [2.200]	44.45 [1.750]	115.32 [4.540]	95.25 [3.750]	72	822137-3
F	E	D	C	B	A	NO. OF POSN	PART NO

THIS DRAWING IS A CONTROLLED DOCUMENT.		DIN 91 MCMMASTER 07JAN05	Tyco Electronics Corporation Harrisburg, PA 17105-3608
DIMENSIONS: mm [INCHES]		CHK M.YEOMANS 07JAN05	
TOLERANCES UNLESS OTHERWISE SPECIFIED:		APVD M.YEOMANS 07JAN05	NAME CONNECTOR, MICRO-EDGE, .050, LP, GOLD PL, W/METAL LATCH
0 PLC ± -		PRODUCT SPEC	
1 PLC ± -		APPLICATION SPEC	SIZE A1
2 PLC ± -		WEIGHT -	CAGE CODE 00779
3 PLC ± 0.13 [.005]		RESTRICTED TO	DRAWING NO 822137
4 PLC ± -		CUSTOMER DRAWING	SCALE 4:1
ANGLES ± -		SHEET 1 OF 1	REV V